

## SLIM 50/11 - Compact Solution

For restricted shaft depths, eliminating the need for heavy manual hinged landing doors and maintains the maximum car depth.

2 hour fire rated entrances.

Slim sill sections:

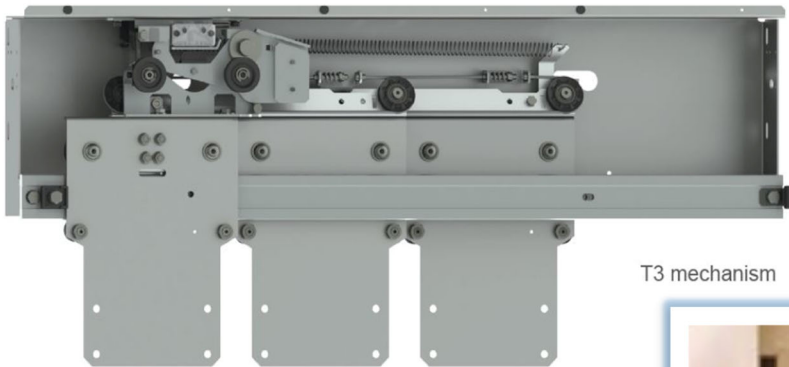
- Two Panel Side Opening - **Reduced from 90mm to 60mm**
- Four Panel Centre Opening - **Reduced from 90mm to 60mm**
- Three Panel Side Opening - **Reduced from 135mm to 90mm**

- Based on roller/track dimensions of standard 50/11 doors
- Energy efficient VVVF & permanent magnet motor
- Extra strength door panels, reinforced throughout
- Solid door guide shoes
- Various size frames available
- Medium size rollers (56mm)
- Variety of finishes
- 3 year Global Warranty

The Right Door For The Right Application
MEDIUM DUTY DOORS
Residential
Apartments
Offices
Retail



T3 operator



T3 mechanism

